



General Features:

- Universal input, support RTD and Thermocouple, Voltage, resistance.
- Output 4-20mA + HART
- Input configurable via **PC software** and **field configurator**
Compatible with Rosemount 275, 375 and other mainstream field configurator
- Input/output/power supply isolated with each other
- Can be installed in Form B connection box
- High accuracy, 0.1% for RTD, 0.2% for TC
- 12-35VDC power supply
- Surge protection, reverse connection protection
- 2000VAC galvanic isolation

This item is a drop-in replacement of Rosemount 248 model, high accuracy, inherits standard HART protocol.

Ordering Information

TT-217 (Hart+4-20mA output)
You can configure the input and range using PC software or field configurator

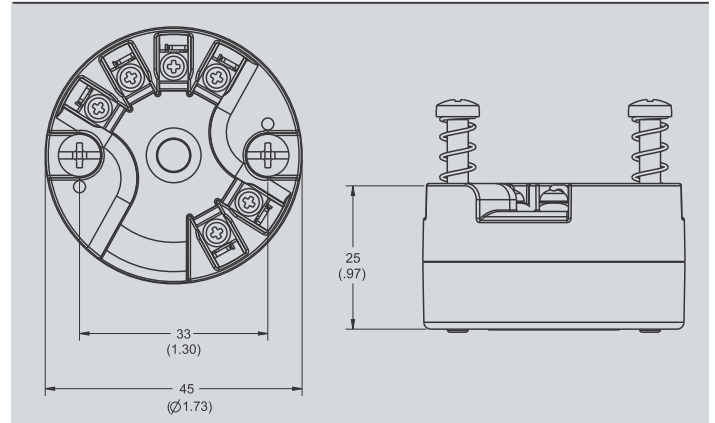
Technical Specifications

Item No	TT-217
Input type	T/C.:K,E,S,B,J,T,R,N,WRe5,WRe3 RTD.: Pt100,Pt1000,Cu100,Cu50 Resistance,Voltage
Power supply	12-35Vdc
Measuring accuracy	RTD 0.1% TC 0.2%
Energizing current for sensor	210uA
Load	250 Ω or 500 Ω
Temperature drift	≤25ppm/°C F.S
Operating temperature range	-30°C~80°C
Output	4-20mA+HART
Maximum output	20.8mA
Storage temp	-40°C~120°C
Housing material	PA66
Mounting screw	M4*2
Protection	Surge and reverse connection
Warranty	12 months
Isolation	2000VAC galvanic isolation

Input signal and range

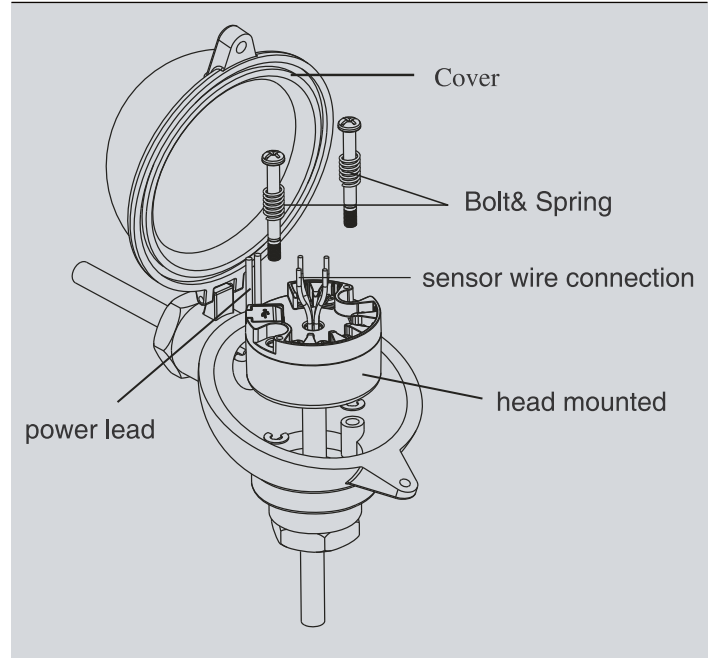
Sensor type	Specific sensor type	Range
Thermocouple	K	-200~1300°C
	E	-200~1000°C
	S	0~1600°C
	B	600~1800°C
	J	-210~1200°C
	T	-270~400°C
	R	-0~1600°C
	N	-270~1300°C
	WRe5	0~2300°C
	WRe3	0~2200°C
RTD	PT100	-200~850°C
	PT1000	-200~850°C
	Cu100	-50~150°C
	Cu50	-50~150°C
	Resistance and voltage	Resistance
	voltage	-800mV~800mV

Dimension

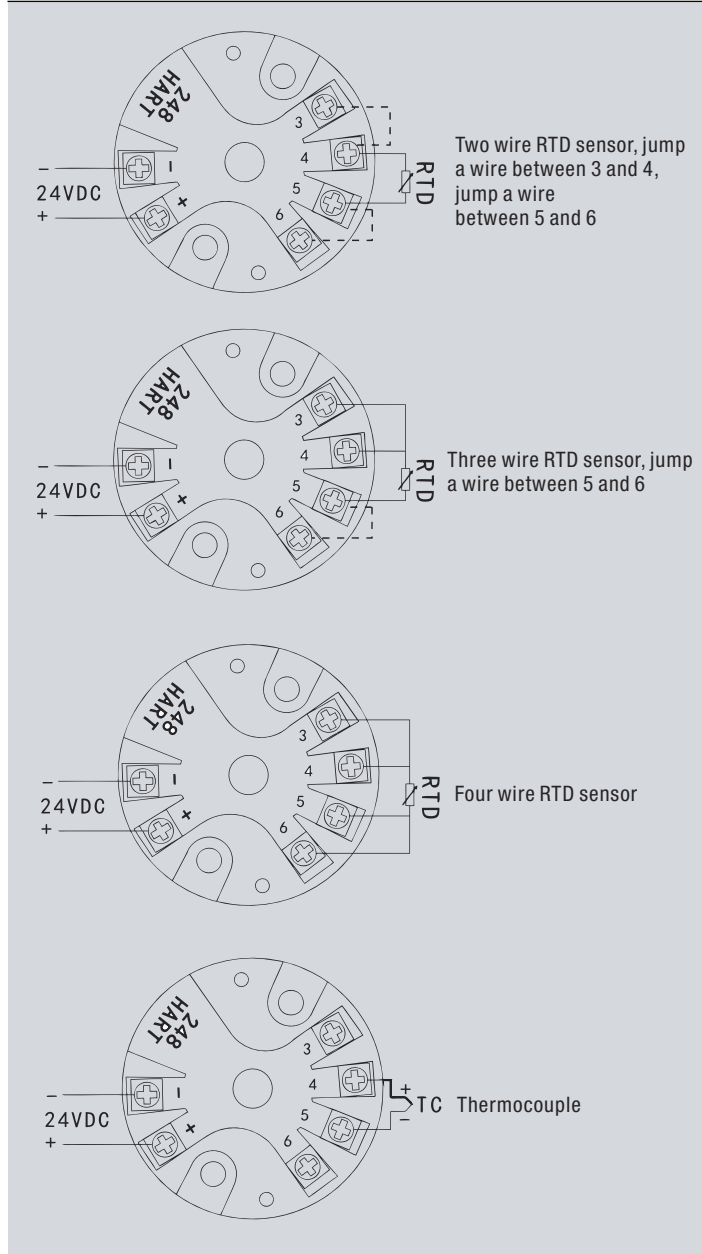


Technical Specifications

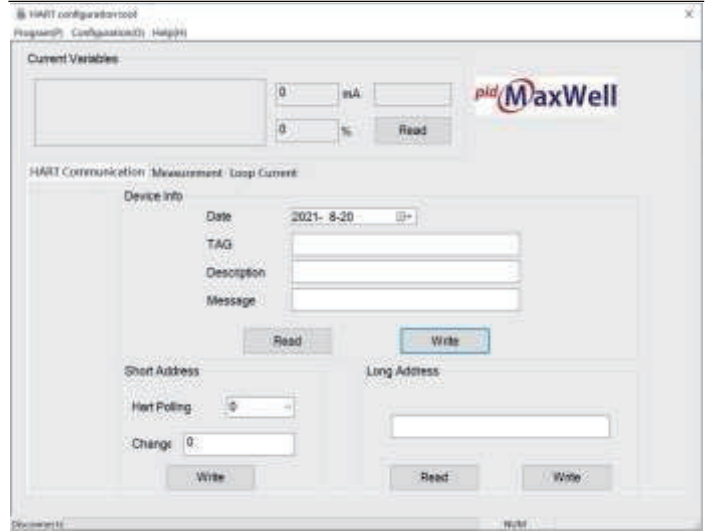
Installation guide



Wiring diagram



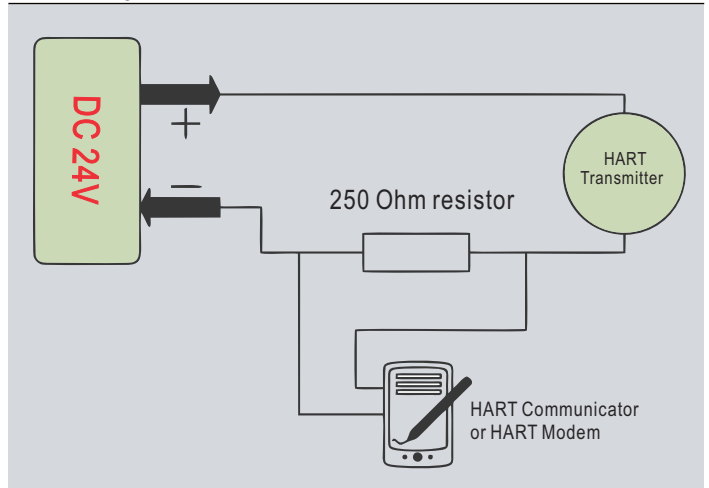
PC configuration software interface



HART modem SM100-C



Connection guide with hart modem or hart communicator



Configuration guidelines

The configuration can be done via PC or Rosemount 275/375 communicator. We provide PC software so you can configure the unit via PC, in this case, a HART MODEM is needed.



Connect the transmitter with PC using the HART Modem(SM100-C) and download the PC software from our official website, URL as below https://www.maxwell-fa.com/Temperature_Transmitter/HART_Communication_Universal_input/content/show/77/56 or you can contact our after sales team to get the software, if you already have a HART Modem, our software have a good change to compatible with your HART Modem